

迪恒
股份

DU615ST

LASER PROJECTOR

北斗系列激光工程投影机



Product parameters

产品参数

北斗系列-DU615ST工程激光投影机 Beidou series-DU615ST Laser Engineering Projector

| | |
|--|---|
| 型号(Model): DU615ST | 亮度(Brightness): 6300 ISO流明(lumen) |
| 显示芯片(Display chip): 3*0.64" | 投射比(Projection Ratio): 0.44 |
| 投影技术(Projection technology): 3LCD | 对比度(Contrast ratio): 5000000:1 |
| 分辨率(Resolution ratio): 1920*1200 (16:10) | 均匀度(Uniformity): $\geq 80\%$ |
| 光源(Light source): MCL激光光源(laser source) | 画面尺寸(Screen size): 70"~300" |
| 光源寿命(Light source lifespan): 20000 hour | 噪音(Noise): 37decibel |
| 镜头参数(Lens parameters): F 1.6, F 6.39mm | 扬声器(Speaker): 16W*1 |
| 投影角度(Projection angle): 2*360° | 梯形校正(Keystone): V: $\pm 15^\circ$ H: $\pm 15^\circ$ |
| 吊装翻转(Lifting and flipping): 支持(support) | 电压(Voltage): 100~240V@ 50/60Hz |
| 重量(Weight): 10.4 (kg) | 尺寸(Size): 399×402×155 (mm) |

聚焦方式(Focusing method): 手动(hand movement)

输出接口(Output interface): VGA*1, Audio out (mini-jack,3.5mm) *1。

输入接口(Input): :VGA*1, HDMI 1.4B(IN) *2, USB-A*1, USB-B*1 (Display) , RJ45*1 (Display) , Audio in (mini jack,3.5mm) *1,

控制接口(Control interface): RS232*1, RJ45*1 (Control), USB-B*1 (For upgrade)

几何校正(Contrast ratio): 四角拉伸、六角拉伸、枕形校正、桶形校正、11*17格点校正 (Quadrangle stretching, hexagonal stretching, pillow correction, barrel correction, 11 * 17 grid point correction)

网络控制(Network): RoomView (Crestron)、AMX Discovery、PJ Link

兼容分辨率(Compatible resolution): VGA, SVGA, XGA, SXGA, WXGA, UXGA, WUXGA, 4K@30Hz,

整机功率(Power): (Normal) (Max) 360W, (ECO1) (Max) 280W, (ECO2) (Max) 230W

Lightweight design concept compact and flexible

轻量化的设计理念,小巧灵活

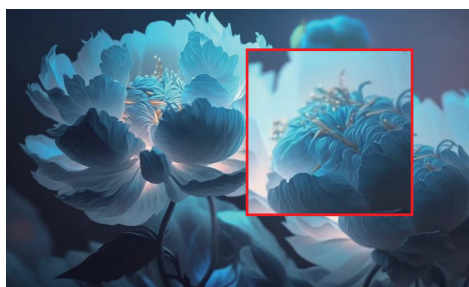


采用轻量化的设计理念,产品尺寸只有399×402×155MM,重量仅有7.9KG。通过提高产品能效,亮度高达6000流明段。相比竞品产品更加轻便,安装使用更灵活,同时更加节能环保。

Adopting a lightweight design concept, the product size is only 399 x 402 x 155mm and weighs only 7.9Kg. By improving product energy efficiency, the brightness can reach up to 6000 lumens. Compared to competing products, it is lighter, more flexible to install and use, and more energy-efficient and environmentally friendly.

WUXGA (1920*1200) 物理分辨率, 支持4K, 画质更细腻 WUXGA (1920 * 1200) physical resolution, supporting 4K

物理分辨率高达1920*1200分辨率支持4K@30HZ信号输入,投影画面更加细腻,细节展示更丰富生动。



WUXGA
4K@30HZ

Physical resolution up to 1920 * 1200 resolution, supporting 4K@30hz Signal input, the projection image is more delicate, and the details are displayed more vividly and richly.

新型MCL激光光源, 光源寿命长达20000小时 MCL laser light source with a lifespan of up to 20000 hours

搭载NICHIA 更新一代MCL激光光源,该光源品质更稳定,体积更小、能效更高。投影在正常模式下光源寿命长达20000小时,节能模式下长达30000小时。

Equipped with the latest generation MCL laser light source from NICHIA, this light source has more stable quality, smaller size, and higher energy efficiency. The lifespan of the light source can reach up to 20000 hours in normal mode and up to 30000 hours in energy-saving mode.

红光占比达15%, 100%CLO, 105%REC70 色域占比, 色彩更艳丽

红光占比达15%, 100%CLO, 105%REC70色域占比, 相比较竞品, 各项色彩指标均表现优异。投影画面色彩更艳丽画质更细腻。

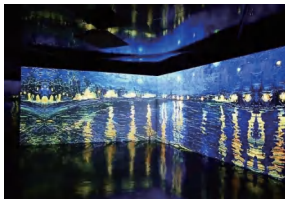
Red light accounts for 15% 100% CLO 105% Rec70 color gamut

Red light accounts for 15%, 100% CLO, and 105% Rec70 color gamut. Compared to competitors, all color indicators have performed excellently. The projection screen has more vibrant colors and finer image quality.



无仰角设计, 吊装场景下, 顶部恰好投满画面

Elevated angle design, in the lifting scene, the top is well projected to fill the screen



产品采用无仰角设计, OFFSET为100%, 在桌面正投场景下, 投影画面的最低边缘和镜头所在水平线平齐。在吊装场景下, 顶部恰好可以投满画面。在宴会厅、展厅、餐厅等墙面投影场景下, 墙面可以获得更大面积的投影, 提升美感。

The product adopts an elevation free design, with a 100% OFF SET. In a desktop projection scene, the lowest edge of the projected image is flush with the horizontal line of the lens. In the lifting scene, the top can perfectly fill the screen. In banquet halls, exhibition halls, restaurants and other wall projection scenes, the wall can obtain a larger area of projection, enhancing aesthetics.



USB-B接口直连PC投影显示

USB-B interface directly connected to PC projection display

产品的USB-B接口可直连PC电脑的USB接口进行投影显示。在会议等应用场景中, 为用户提供了更多的接线选择。

The USB-B interface of the product can be directly connected to the USB interface of a PC for projection display. In application scenarios such as conferences, it provides users with more wiring options.



支持4点、2*3格点, 11*17格点几何校正

Support grid geometry correction

支持V: $\pm 30^\circ$ H: $\pm 30^\circ$ 梯形校正, 支持四角拉伸 (2*2), 支持六角拉伸 (2*3), 墙角折角校正, 支持曲面校正, 11*17格点校正。丰富的几何校正功能, 使得用户在投影平面、弧形、墙角、柱子等场景时, 不用外接处理设备即可获得完美的投影画面。

Supports V: $\pm 30^\circ$ H: $\pm 30^\circ$ trapezoidal correction, supports quadrilateral stretching (2 * 2), supports hexagonal stretching (2 * 3), wall corner bending correction, supports surface correction, and 11 * 17 grid point correction. Rich geometric correction functions enable users to obtain perfect projection images in scenes such as projection planes, arcs, wall corners, and columns without the need for external processing equipment.



7*24小时不间断稳定运行

7 * 24-hour uninterrupted stable operation

机器支持7*24小时不间断稳定运行, 无灯泡光源的炸灯风险。

The machine supports uninterrupted and stable operation for 7 * 24 hours, without light bulbs The risk of exploding lights at the source.



支持开机画面自定义

Support customization of startup screen

用户通过遥控器即可在OSD菜单中设置截图并作为开机画面展示。

Users can set screenshots in the OSD menu and display them as startup screens through the remote control.



标配RJ45、RS232接口, 支持多种控制方式

Standard RJ45、RS232 interfaces multiple control methods

产品标配了RJ45、RS232接口, 支持IR遥控、按键板控制、网口、串口等多种控制方式和控制协议。

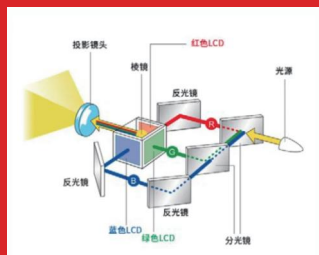
The product comes standard with RJ45 and RS232 interfaces, supporting various control methods and protocols such as IR remote control, button board control, network port, serial port, etc.

3LCD投影技术搭载3*0.64寸液晶芯片

采用色彩表现更出色的3LCD技术, 搭载3*0.64寸液晶芯片, 可以实现更高的光利用率, 忠实于色彩本身能够呈现充足的色彩亮度, 画质更加出众, 画面细节展示更加突出。

Screen window opening and side by side function

By using the 3LCD technology with better color performance and equipped with a 3 * 0.64 inch LCD chip, higher light utilization can be achieved, faithful to the color itself, and able to present sufficient color brightness, outstanding image quality, and more prominent display of image details.



0.44短焦投射比, 灵活应用于各种空间

0.44 short focal projection ratio, flexible application in various spaces

投射比低至0.44。投影100寸16:10画面仅需要0.946米的投影距离。可以灵活解决地面投影的投影安装问题。在近距离也可以投影出大画面(对环境空间的要求更小), 如果投影空间内有人走动, 短焦投影可以完美避开人的挡光, 进而保证投影画面的完整性。

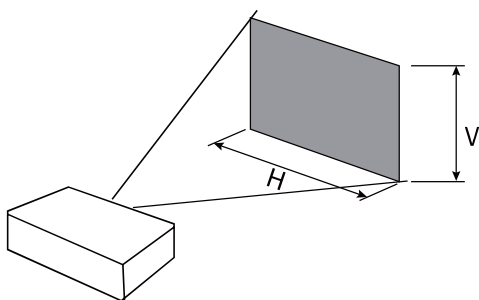
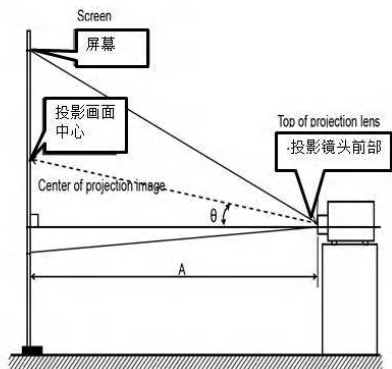
The projection ratio is as low as 0.44. A projection distance of only 0.946 meters is required for a 100 inch 16:10 screen. It can flexibly solve the installation problem of ground projection. Large images can also be projected at close range (with lower requirements for environmental space). If there are people walking in the projection space, short focus projection can perfectly avoid human light blocking, thereby ensuring the integrity of the projected image.



投影距离表

Projection distance table

画面高(Screen height): **H/m** 最小投影距离(Minimum projection distance): **AW**
画面宽(Screen width): **W/m** 最大投影距离(Maximum projection distance): **AT**



16:10宽高比aspect ratio

| 屏幕尺寸screen size | W/h | H/m | AT |
|-----------------|-------|-------|-------|
| 55 | 1.185 | 0.740 | 0.514 |
| 60 | 1.292 | 0.808 | 0.568 |
| 70 | 1.508 | 0.942 | 0.668 |
| 80 | 1.723 | 1.077 | 0.769 |
| 90 | 1.939 | 1.212 | 0.869 |
| 100 | 2.154 | 1.346 | 0.969 |
| 130 | 2.800 | 1.750 | 0.265 |

创造世界一流的民族品牌

Create a world-class national brand



— 400 - 600 - 6770 —

DHN building 107, No. 1, fortune world headquarters, 2338

Duhui Road, Minhang District, Shanghai

上海市闵行区都会路2338号财富天地总部一号107幢

— www.dhn-int.com —

迪恒技术股份有限公司

DIHENG Technology Co., Ltd.